

DENTALAIRE X-RAY PRODUCTS

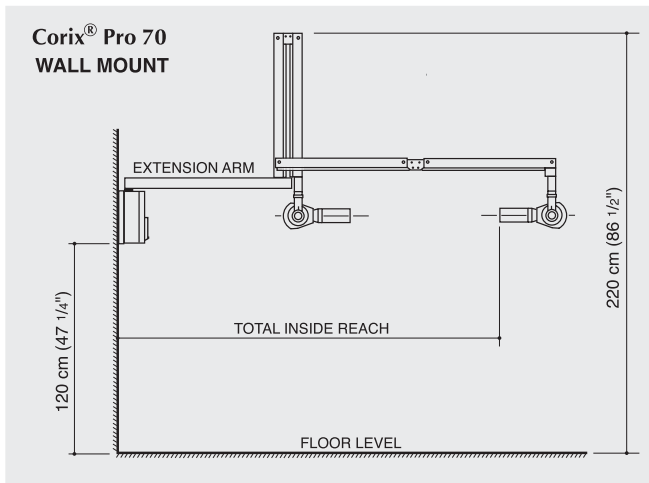
70 KVp Tubehead

The 70KVp-8mA Tubehead with a small focal spot, low energy filter and beam limiting device assures outstanding sharpness and maximum details in intra-oral radiography. Positioning is made easier with an angle indicator on both sides of the unit. Lead shields and critical components are oversized to provide more years of safe and trouble free operation.



Hand Held Digital Exposure Timer

A new generation of small size, 3 digit remote controller with a 1/100 of a second resolution, fully compatible with the fastest film or a film-less digital imaging system. 9 factory pre-set memories, patient size, film or digital sensor, or manual override if required. Automatic compensation for the main voltage variations. All of above and more in a controller that fits into the palm of your hand. Optional Remote Timer Configuration, should the controller be located outside the operatory.



Long Reach Double Positioning Arm

The long reach scissors arm moves effortlessly through a wide area, yet folds compactly when not in use. Ease of positioning and drift free stability.

Standard, Short or Long Extension Arm (Wall Mount version)

Designed to fit your requirements:
 Standard Extension Arm provides a total inside reach of 180.6 cm. (71 1/8")
 Short Extension Arm provides a total inside reach of 135.6 cm. (53 3/8")
 Long Extension Arm provides a total inside reach of 190.5 cm. (75")

Corix® Pro 70 is a wall mounted or mobile system

Conditions in your practice will dictate where to perform x-ray examinations. With the Corix Pro 70 you can choose the option that best fits your needs:

Corix® Pro 70 Wall Mount, DTP60800

Wall mounted in the x-ray room or directly in the treatment room, even for side-by-side operatory stations.

Corix® Pro 70 Mobile Stand, DTP61300

Mobile stand, to reach separate operatory stations on a sturdy and stable rolling stand.

1 Year Warranty. Price does not include installation.

Technical Features	
RATED LINE VOLTAGE	120V. +/- 10% (109-132 V.a.c.), 50/60 Hz.
POWER CONSUMPTION	1.050 KW max @ 132 V.a.c.
RATED TUBE POTENTIAL	70 KVp +/- 7% (Single phase, self rectifying).
RATED TUBE CURRENT	8 mA +/- 15% @ 120 V.a.c.
EXPOSURE TIME RANGE	0.03 to 3.00 s., in steps of 0.01 s. Plus 9 pre-set exposure times, with automatic main voltage compensation. A pre-heating time of 0.15 s. for loading the x-ray tube is not shown on the display.
MINIMUM FOCAL SPOT TO SKIN DISTANCE	200 mm. (8")
RADIATION LEAKAGE @ 1 m.	Less than 50 mR/h (Technical Factors: 70KVp, 8 mA, 1 s.).
FOCAL SPOT	0.8 x 0.8 mm.
TOTAL FILTRATION	2 mm. Al eq.
NET WEIGHT	Mod. WM (Wall Mount): 28 Kg. Mod. MM (Mobile Stand): 40 Kg
SHIPPING WEIGHT	Mod. WM (Wall Mount): 33 Kg. Mod. MM (Mobile Stand): 46 Kg.
SHIPPING DIMENSIONS	Mod. WM (Wall Mount): 1 Box, 131 x 52 x 26 cm. Mod. MM (Mobile Mount): 2 Boxes, 111 x 34 x 19 cm., and: 86 x 34 x 33 cm.
Corix Medical Systems® reserves the right to modify the design and specifications without prior notice.	

® Corix, and: Corix Medical Systems, are Registered Trademarks.

Each CORIX comes with a book on veterinary dental radiography, as well as technique chart