

User Manual



Newtron P5XS



Contents

1 Documentation	5
1.1 Associated documentation	5
1.2 Electronic documentation	5
2 Required information	7
2.1 Indication for use	7
2.2 Operating principle	7
2.3 Date of inclusion of EC marking	7
2.4 Latest document update	7
2.5 Repairing or modifying the device	7
2.6 Warranty	8
2.7 Accessory usage conditions	8
3 Removal from packaging, installation, connections	9
3.1 Unpacking your medical device	9
3.2 Positioning the medical device	9
3.3 Installing cords	9
3.4 Connecting the medical device to the electrical network	9
3.5 Installing the control pedal	10
3.6 Fix the medical device to a non-removable support	10
4 Description of the medical device	11
4.1 Control unit	11
4.2 Power configuration button	11
4.2.1 Remote configuration via Bluetooth (depending on option)	11
4.3 Adjusting ultrasound power	11
4.4 SLIM handpiece	11
4.5 Attach a tip or a file	11
4.6 Connecting and disconnecting accessories during use	12
4.7 Connecting the handpiece	12
4.8 Handpiece support	12
4.9 handpiece cord	12
4.10 Light indicator	12
4.11 Irrigation flow configuration button	12
4.12 Adjusting the irrigation	12
4.13 Initiating irrigation	13
4.14 Air inlets	13
4.15 Control pedal	13
4.16 Activating ultrasounds using the pedal	13
4.17 Mains Connector	13
4.18 Switch	13
4.19 Fuse recess	13
4.20 Irrigation solution tank	13

4.21 Filling the tank	13
4.22 Pump	13
4.23 Cleaning the irrigation system	14
5 Cleaning, disinfecting and sterilizing	15
5.1 medical device cleaning and disinfection	15
5.2 Cleaning and disinfecting accessories	16
6 Monitoring and maintenance of the medical device	17
7 Maintenance	19
7.1 Identifying incorrect operation	19
7.1.1 No operation	19
7.1.2 No spray	19
7.1.3 The power is not as expected	19
7.1.4 Ultrasounds not working	20
7.1.5 Water leakage	20
7.2 Corrective Maintenance	20
7.2.1 Replacing the fuses	20
7.2.2 Replacing the irrigation cassette	21
8 Technical specifications for the medical device	25
8.1 Identification	25
8.2 Control unit	25
8.3 Ultrasonic generator	25
8.4 Length of cords	25
8.5 Irrigation	25
8.6 Control pedal	25
8.7 Environmental characteristics	26
8.8 Environmental restrictions	26
8.9 Main performance characteristics	26
9 Regulations and standards	27
9.1 Official Texts	27
9.2 Medical class of the device	27
9.3 Standardised Symbols	28
9.4 Manufacturer identification	28
9.5 Branch addresses	30
9.6 Disposal and recycling	32
10 Index	33

Foreword

The medical device SATELEC[®] that you are about to install and use in your practice is a medical device designed for professional use. It comprises the chosen tool with which you will provide treatment within the context of your work.

To ensure optimum safety for yourself and your patients, comfort in your daily practice and to benefit fully from the technology of your medical device, please read the documentation provided carefully.

If you have received this medical device by mistake, please contact the supplier to arrange for it to be collected.

Please refer to the instructions relating to the comprehensive range of dental ultrasonic generators SATELEC[®] for information about the following:

- documentation format;
- the documentation archiving period;
- warnings concerning user and patient populations;
- the treatment area;
- the medical device usage interactions, contraindications and prohibitions;
- electromagnetic compatibility;
- disposal and recycling of the medical device;
- manufacturer responsibility.

Please refer to the accessory cleaning, disinfection and sterilization protocols and the hand-piece pre-disinfection, cleaning and sterilisation protocols for information about the following:

- preparation of parts for sterilization;
- detailed manual and automatic protocols;
- information concerning conditioning for sterilization;
- recommendations for the inspection of parts.

1 Documentation

This document contains the following information:

- indications for use;
- description of the medical device;
- installation of the medical device;
- use of the medical device;
- preparation for cleaning and disinfection of the medical device;
- monitoring and general maintenance of the medical device;
- maintenance to be performed by the user.

1.1 Associated documentation

This document must be used in association with the following documents:

Document title	References
Cleaning, disinfection and sterilization protocols for Wrenches SATELEC®	J81001
Cleaning, disinfection and sterilization protocols for Tips SATELEC®	J02001
Cleaning, disinfection and sterilization protocols for Handpieces SATELEC®	J12911
General instructions relating to the complete range of SATELEC® dental ultrasonic generators	J00011
Method for consulting electronic user instructions	J00000
Quick Clean Newtron® P5XS	J62101
Quick Start Newtron® P5XS	J62100
User Manual for Newtron® P5XS	J62151
Software User Manual Newtron® P5XS	J62111
User Manual for SLIM handpiece	J12921

1.2 Electronic documentation

The user instructions for your device are provided in electronic format and not in printed format. However, you can request a free printed copy of the user instructions within 7 days via our website, by telephone or in writing.

The electronic user instructions are available in PDF format (Portable Document Format) and you will need to have a PDF file read software installed to read the instructions.

The device user instructions can be consulted at the following address:

www.satelec.com/documents



Electronic user
informations



It is important for you to have read and understood the content of the user instructions relating to the use of your device and its accessories prior to use.

We recommend that you visit the website regularly to consult and/or to download the latest version of your device's user instructions.

2 Required information

2.1 Indication for use

This medical device is used in association with a dental ultrasound handpiece to which an ultrasound instrument is attached. It is designed for the treatment of prophylaxis, periodontics, endodontics and preservation and restoration dentistry.

2.2 Operating principle

An electrical signal emitted by the medical device is supplied to the dental ultrasonic handpiece. This is connected to the medical device via a cord. The handpiece comprises a piezoelectric ceramic transducer, which transforms the electrical signal into ultrasonic vibrations. Mechanical vibrations are transmitted to a tip or a dental file attached to the end of the ultrasonic handpiece.

The Newtron[®] SLIM B.LED fitted with its Blue LED ring and used in conjunction with the F.L.A.G.[™] disclosing liquid, shows up dental plaque during the scale removal or dental prophylaxis phase. Fitted with a white LED ring, the handpiece emits a white light providing the user with optimum visibility of the treatment area.

2.3 Date of inclusion of EC marking

2013

2.4 Latest document update

04/2013

2.5 Repairing or modifying the device

Contact the supplier of your device. Using the services of an unapproved repairer could render your device dangerous for you and your patients.

Do not repair or modify the SATELEC[®] without seeking the prior permission of .

If the device is modified or repaired, specific checks and tests must be carried out to ensure that the device is still safe to use.

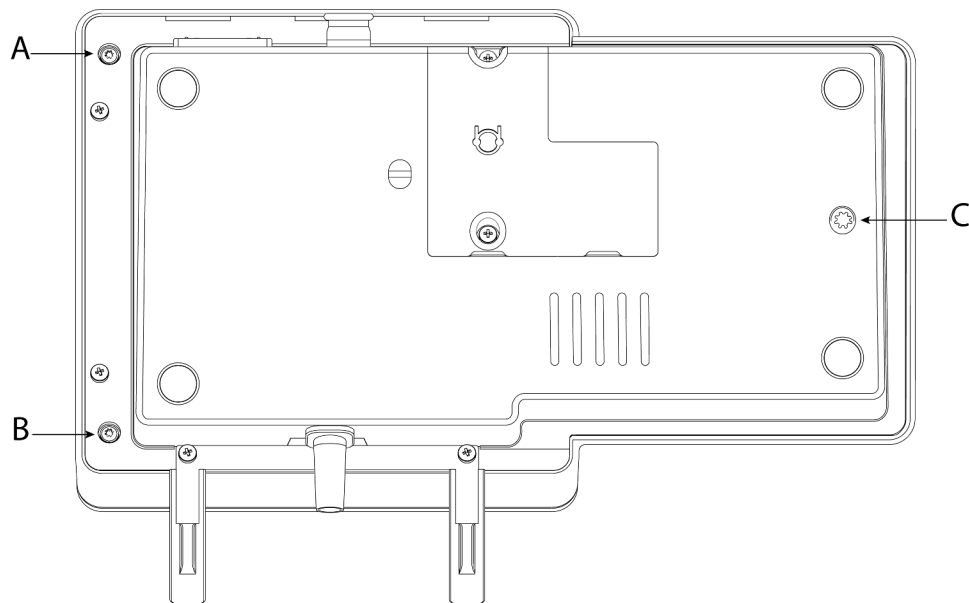
In the event of doubt, contact an approved dealer or the SATELEC[®] customer service team :

www.acteongroup.com

satelec@acteongroup.com

SATELEC[®] at the request of technical personnel working for the network of dealers approved by SATELEC[®], provide all information required to repair the faulty parts on which they may perform repairs.

2.6 Warranty



The screws marked A, B and C must not under any circumstances be unscrewed by the user as this may void the warranty for the medical device.

2.7 Accessory usage conditions

Accessories and SLIM handpiece must be cleaned, disinfected and sterilized prior to use.

3 Removal from packaging, installation, connections

3.1 Unpacking your medical device

When you receive your medical device, check for any damage that may have occurred during transportation. If you have received this medical device by mistake, please contact the supplier to arrange for it to be collected.

If you have any questions or requirements, contact your supplier.

The Newtron[®] P5XS includes the following items:

- a Newtron[®] P5XS unit with non-detachable pedal cord, a non-detachable SLIM cord, a 300 or 500ml tank and a SLIM handpiece support;
- a Newtron[®] SLIM handpiece, a Quick Start [J12900] and a Quick Clean [J12930];
- tips and wrenches depending on selected options;
- an attachment kit;
- a box containing FLAG disclosing liquid;
- a Quick Start Newtron[®] P5XS [J62100];
- a Quick Clean Newtron[®] P5XS [J62101].

3.2 Positioning the medical device

Place the control unit in the position that is suitable for your activity.

Check that the cords do not hinder the movement or free circulation of anyone.

The medical device must be placed on a secure and flat surface or a surface with a maximum slope of 5 degrees.

Fix your medical device using the attachments provided to ensure that the device cannot be removed without the use of a tool.

Adjust the position of your medical device to correspond to your angle of vision and the characteristics of your workstation, e.g. lighting or distance between the user and the medical device.

Ensure that you can access your medical device quickly.

| Do not install your medical device near or on another device.

3.3 Installing cords

Check that the cords do not hinder the movement or free circulation of anyone.

Never rotate the handpiece connector on its cord as this can damage your medical device.

Never wrap the handpiece cord around the medical device.

Make sure that it is not possible to wheel over or walk on the different cords.

The cord attached to its handpiece must be easily accessible. Make sure that the cord is slack during use.

| Do not put the medical device cords in a cable cover or a cable tray.

3.4 Connecting the medical device to the electrical network

Set the medical device to OFF position 0 and check that the mains voltage is compatible with that indicated on the medical device or its mains adapter. Next, connect the cord to the wall socket in compliance with the standards in force in the country of use.

A different voltage would cause damage to the medical device and could injure the patient and/or user. Any variation in the electrical network voltage or electromagnetic field that is non-compliant with the limits in force, could interfere with the medical device's operation.

medical devices equipped with a protective earth must be connected to a supply network equipped with a protective earth.

Do not plug the medical device into an extension lead and do not put the mains cord in a cable cover or cable tray.

3.5 Installing the control pedal

The control pedal must be positioned near the feet of the operator and must be readily accessible.

3.6 Fix the medical device to a non-removable support

The medical device that you have just acquired is not designed for mobile use. To avoid accidentally dropping the device, we recommend that you fix it in a precise place in your treatment room, using the screw and clamp [F61001] supplied in the packaging box, to ensure that it cannot be dismantled or moved without needing a tool.

4 Description of the medical device

4.1 Control unit

The control unit incorporates technology Newtron[®] patented by SATELEC[®].

The patented technology Newtron[®] controls the tips by Cruise Control[®], an automatic system for setting the frequency and power in real time. This ensures that Satelec[®] tip vibration is gentle, regular and controlled.

4.2 Power configuration button

To ensure a quality treatment, you will need to use the tips at the power and irrigation flow settings recommended by SATELEC[®].

The ultrasound power configuration button ensures:

- Configuration of the operating power: 1 to 20.

The configuration button has 4 colour sectors, each with 5 positions.

- Green: 1 to 6: very low to low power, used mainly for periodontics.
- Yellow: 6 to 11: medium power, used mainly for endodontics.
- Blue: 11 to 16: high power, used mainly for scale removal.
- Orange: 16 to 20: very high power, used mainly for implant loosening.

The ultrasound power configuration button can be removed by the user to facilitate the cleaning and disinfection of the control unit. The button cannot be sterilised.

The removal of the button inhibits the activation of ultrasounds. The top surface of the control unit lights up white and the control pedal can be pressed to activate the purge function. The purge function can be stopped at any time by pressing the control pedal again.

4.2.1 Remote configuration via Bluetooth (depending on option)

The Newtron[®] P5XS, depending on the option, allows you to use a tablet or a smartphone to remotely pre-configure the power and irrigation settings.

Refer to the P5XS application instructions [J62111] for more information.

| Only the Newtron[®] P5XS with Bluetooth option is compatible with remote configuration.

4.3 Adjusting ultrasound power

Adjust the ultrasound power using the ultrasound power configuration button. The ultrasound power must be adjusted in accordance with the tip used and the required treatment. The operating power of the tips must be selected in compliance with the Satelec tips color coding system (CCS tips). Details of these indications are given in the adjustment table available at the address www.satelec.com/documents and on the treatment sheets.

4.4 SLIM handpiece

Only handpieces with SLIM connector SATELEC[®] can be connected to the medical device. There is a handpiece with SLIM connector without LED, and a handpiece with SLIM connector B.LED with white or blue LED. Refer to the handpiece user manual Newtron[®] [J12921] for more information.

4.5 Attach a tip or a file

A tip or a file vibrates correctly when it is perfectly tightened without being forced beyond its stop point. Tighten it moderately using the wrench provided to ensure optimum ultrasound operation. Over-tightening of the tip or file can result in breakage of the tip, file or handpiece.

| To prevent self-locking of the tip or the file, the latter must be removed after each use.

4.6 Connecting and disconnecting accessories during use

Do not connect/disconnect the cord(s) or the handpiece when the medical device is switched on and your foot is on the pedal.

Do not tighten or loosen the tips when the handpiece is activated.

4.7 Connecting the handpiece

Check for the absence of signs of humidity at the SLIM handpiece connections, and eliminate them if necessary (wipe and blow using a multipurpose syringe).

Lubricate the irrigation system seal located behind the SLIM handpiece with dental instrument lubricant to extend its effectiveness and prevent leaks.

Connect the SLIM handpiece to the sleeve, by aligning the indexing points and by avoiding rotation movement. Install the SLIM handpiece on the support.

4.8 Handpiece support

Le support permet de poser la pièce à main ou la douille du cordon.

The handpiece support can be fixed to the front face or the right side face of the medical device. To change the position of this support, unscrew the two screws located under the support, position the support over the two holes located on the right side face and insert and tighten the two fastening screws.

The two silicone supports can be removed by sliding them along the metal rod. They can be sterilised.

4.9 handpiece cord

The SLIM cord is only compatible with handpieces SATELEC® with SLIM connector.

The SLIM cord ensures irrigation circulation and electrical connection between the medical device and the SLIM handpiece.

4.10 Light indicator

The light indicator is designed to provide information about the status of the device.

When the light indicator is illuminated, the medical device is on and ready to use. The indicator's colour corresponds to the power level.

4.11 Irrigation flow configuration button

The irrigation flow configuration button stops the irrigation function at the minimum stop marked by "0" and sets the irrigation flow from mark "I" to "+":

The irrigation flow configuration button can be removed to clean the medical device. The button cannot be sterilised.

The purge function is activated by pressing the pedal for 4 minutes; it can be stopped by pressing the pedal again.



The pump operates at its maximum flow rate in purge position.

4.12 Adjusting the irrigation

Adjust the irrigation flow using the irrigation flow configuration button. This adjustment depends on the tip and the treatment.

As work habits, feedback and professional training differ from one professional to another, the user must make sure that the irrigation flow is perfectly adapted to the treatment to be carried out to avoid burning the treatment area.

4.13 Initiating irrigation

The medical device must be set to minimum power depending on the required irrigation flow rate. Press the pedal until a spray appears.

4.14 Air inlets

Air inlets ensure correct ventilation of the control unit. Leave them uncovered to allow air to circulate.

4.15 Control pedal

The ON/OFF type pedal is used by the practitioner to operate the medical device.

Pressing the pedal automatically activates the handpiece ultrasounds, and the irrigation function if it is not in 0 position.

The control pedal equipped with its cord cannot be disconnected. Its weight and antislip pad ensure good stability.

The light function remains active for approx. 9 seconds after the pedal is released.

4.16 Activating ultrasounds using the pedal

To activate the ultrasounds on your medical device, press the control pedal.

4.17 Mains Connector

The mains connector with its earthing pin is used to connect the device to the electrical network via a disconnectable mains cord.

4.18 Switch

The mains switch is used to switch on (position I) or to stop (position O) the medical device.

4.19 Fuse recess

The recess holds two mains fuses designed to protect the medical device in the event of overvoltage or an internal fault.

4.20 Irrigation solution tank

The medical device is equipped with a tank designed to hold 300ml or 500ml of irrigation solution depending on the option chosen. The maximum capacity is shown by the MAX mark on the tank.

The irrigation solution tank is fitted with a cover. Neither the tank nor the cover can be sterilised.

4.21 Filling the tank

Remove the tank from the medical device by pulling it upwards. Fill the irrigation solution tank up to the MAX mark with an irrigation solution that is approved for the medical device.

The following solutions are approved for use:

- Hydrogen peroxide < 3%;
- Chlorexidine < 3%;
- EDTA Ethylenediaminetetraacetic acid < 15%;
- Sodium Hypochlorite < 0.9%;
- Sterile water, distilled water, deionised water, demineralised water;
- Saline solution at 0.9%.

The following solutions must not be used:

- Hextril[®] Hexedrin;
- Bleach.

4.22 Pump

The medical device is fitted with a peristaltic pump. This pump must be replaced yearly by the practitioner using the F62202 kit or by the After-Sales Department SATELEC[®].

4.23 Cleaning the irrigation system

After installation and before first use, at the end of the day and following a period of prolonged non-use of the medical device, it is important to clean the irrigation system.

1. fill the tank with hypochlorite diluted at less than 3%;
2. position the irrigation flow configuration button on purge;
3. operate the irrigation spray for two minutes to rinse the medical device's internal water system;
4. refill the tank with demineralised or distilled water, or even drinking water;
5. rinse the system for two minutes.

When the irrigation system has been cleaned, perform the following operations:

1. disconnect the handpiece and refer to handpiece pre-disinfection, cleaning and sterilisation protocols SATELEC® [J12910];
2. clean and disinfect the medical device as indicated in the chapitre *medical device cleaning and disinfection page 15*
3. follow the instructions for accessory cleaning, disinfection and sterilization protocols SATELEC® [J81000] and [J02000].

5 Cleaning, disinfecting and sterilizing

The instructions relating to accessory cleaning, disinfection and sterilization protocols provided by SATELEC® have been approved for each medical device and accessory. The applicable guides are listed in chapitre *Associated documentation page 5*

They can be downloaded at the following address:

www.satelec.com/documents

In all cases, the local regulations in force relating to the accessory cleaning, disinfection and sterilization protocols take precedence over the information provided by SATELEC®.

5.1 medical device cleaning and disinfection

The medical device must be in OFF or O stop position during cleaning and disinfecting procedures.

Refer to the instructions detailed in the chapitre *Cleaning the irrigation system page 14*

Avoid using cleaning and disinfection products that contain flammable agents.

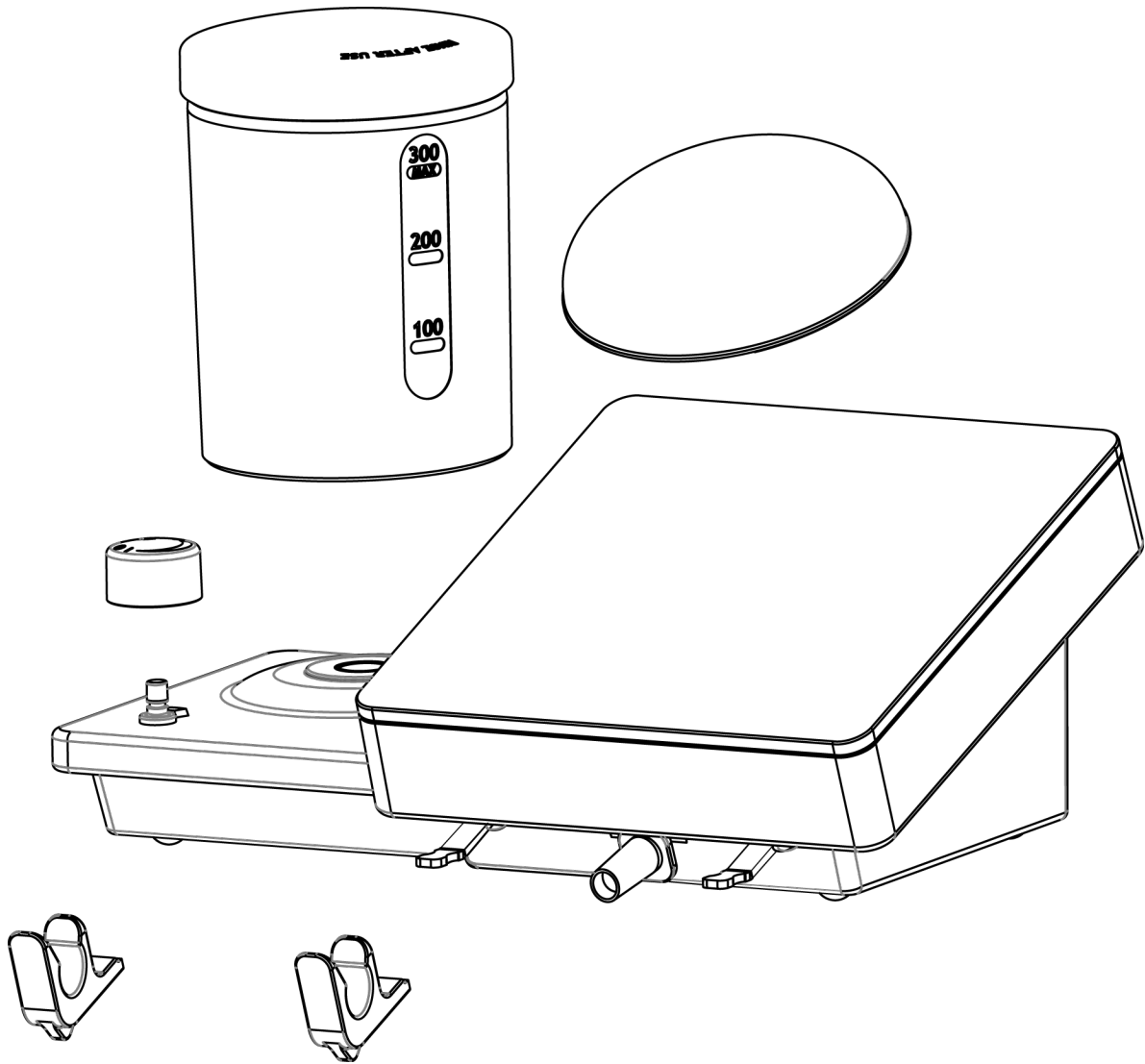
Otherwise, ensure that the product has completely evaporated from or that there is not fuel left on the medical device and its accessories before switching it on.

| Do not use abrasive product to clean the medical device.

| Never apply sprays directly to the medical device to clean it. Always spray the product onto a wipe, then clean the medical device.

The medical device control unit, handpiece cord and control pedal must be cleaned and disinfected daily. The following cleaning and disinfection products can be used:

- Unowipes wipes by Unodent;
- Alcohol-free hard surface disinfectant wipes by Classic;
- Spray alcohol-free hard surface disinfectant by Classic;
- Hard surface disinfectant wipes by Classic;
- Microzid wipes by Schülke;
- Cyberclean by Cybertech;
- SEPTOL wipes by Anios;
- SEPTOL spray by Anios;
- Dentasept spray 41 by Anios;
- Anionyxspray WS by Anios.



To prepare for cleaning, remove the various parts of Newtron[®] P5XS as shown here.

5.2 Cleaning and disinfecting accessories

Refer to the accessory cleaning, disinfection and sterilization protocols listed in the chapitre *Associated documentation page 5*.

6 Monitoring and maintenance of the medical device

Before and after each use, check that the device and its accessories are not faulty in any way. This is necessary to detect any isolation fault or damage. If necessary, replace damaged parts.

Monitor the cleanliness of the air inlets on the control unit to prevent any heating.

7 Maintenance

The only preventive maintenance the medical device requires is:

- checking of accessories;
- everyday cleaning, disinfection and sterilisation procedures;
- cleaning;

7.1 Identifying incorrect operation

In the event of incorrect operation, refer to the tables below to quickly identify and repair the non-complex parts of the medical device.

If the incorrect operation is not described in the tables below, please contact your supplier or the After-Sales team at SATELEC®.

Do not use the medical device if it appears to be damaged or faulty. Isolate the medical device and make sure that it cannot be used.

7.1.1 No operation

Symptoms: the indicator light on the medical device is off and the medical device is not working.

Possible causes	Solutions
No electrical current	Contact your electrician
Internal fuse not working	Return to After-Sales team SATELEC®
Mains switch in position 0	Set the mains switch to position I
Faulty connection between the mains cord and the mains connector	Connect the mains cord to the mains connector.
Faulty connection between the mains cord and the electrical wall socket	Connect the mains cord to the electrical wall socket.
Mains fuses in the mains connector not working	Replace the mains fuses with fuses of the same type and rating

The medical device also has an internal fuse (ref. F1 on the printed circuit board) that cannot be accessed by the user.

7.1.2 No spray

Symptoms: There is no water spray at the tip.

Possible causes	Solutions
Flow configuration button on minimum	Adjust the flow configuration button
Tip or file blocked	Unblock the tip or file
Incorrect choice of tip	Check the tip
Inadequate amount of spray	Adjust the spray
No irrigation solution in the tank	Fill the irrigation solution tank

7.1.3 The power is not as expected

Symptoms: the tip does not vibrate at the expected frequency, the treatment is not progressing as normal and is taking longer or at a standstill.

Possible causes	Solutions
Worn or distorted tip	Replace the tip
Incorrect use: incorrect approach angle or inadequate pressure on the tooth	Refer to the configuration table available at www.satelec.com/documents
Presence of liquid or humidity between the hand-piece and cord	Thoroughly dry the electrical contacts

7.1.4 Ultrasounds not working

Symptoms: the tip does not vibrate, vibration cannot be heard.

Possible causes	Solutions
Tip loose	Tighten the tip using the wrench
Faulty connector contact	Clean the cord contacts
Handpiece cord wire(s) cut	Return to After-Sales Department SATELEC® to replace the cord

7.1.5 Water leakage

Symptoms: Water is leaking from one of the following places:

- between the base of the SLIM handpiece and its cord ;
- under the tank;
- under the medical device.

Possible causes	Solutions
Wear of 1.15mm x1mm SLIM handpiece seal	Replace the seal using F12304 kit. Refer to the instructions in document J12921
Wear of the tank seal	Contact the After-Sales Department SATELEC® to replace the tank
Worn irrigation cassette	Replace the irrigation cassette using kit F62202 as detailed in the chapitre <i>Replacing the irrigation cassette page 21</i>

7.2 Corrective Maintenance

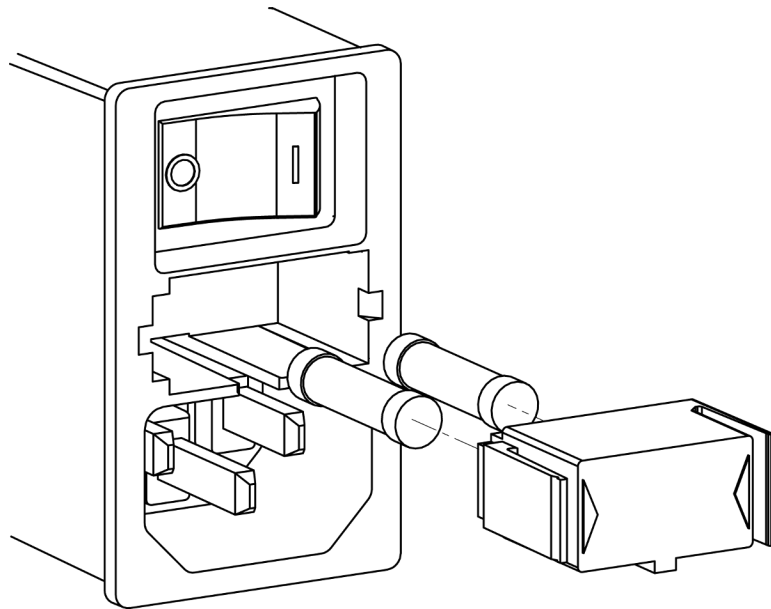
In the event of faulty operation, the following corrective maintenance actions may be performed by the user.

7.2.1 Replacing the fuses

The medical device is protected by two fuses in the mains connector.

To replace the fuses, perform the following operations:

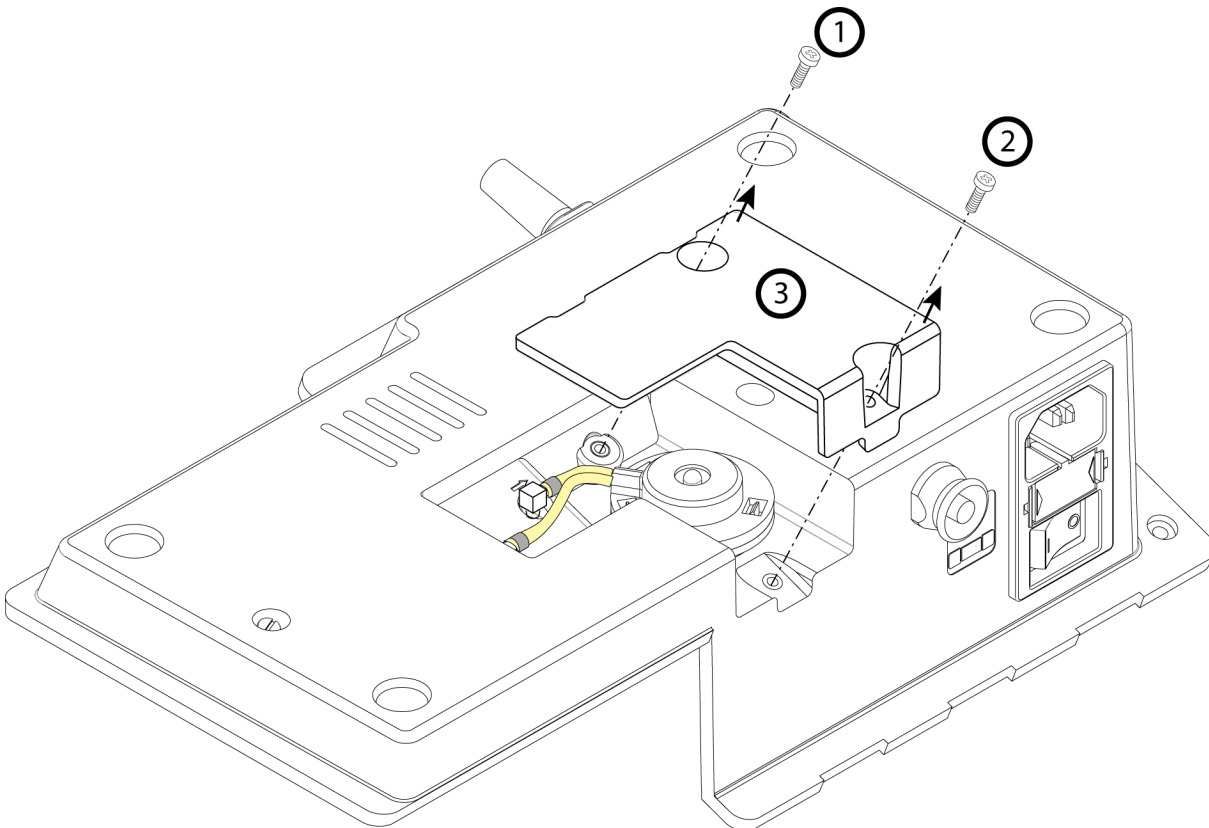
- stop the medical device (position O);
- disconnect the mains cord from the electrical network;
- disconnect the mains cord from the mains connector;
- insert the tip of a flathead screwdriver into the notch on top of the fuse holder to release it;
- remove the used fuses;

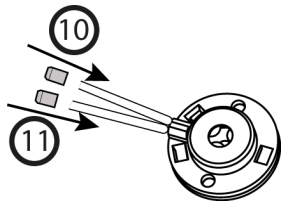
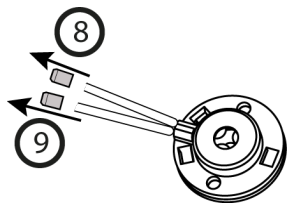
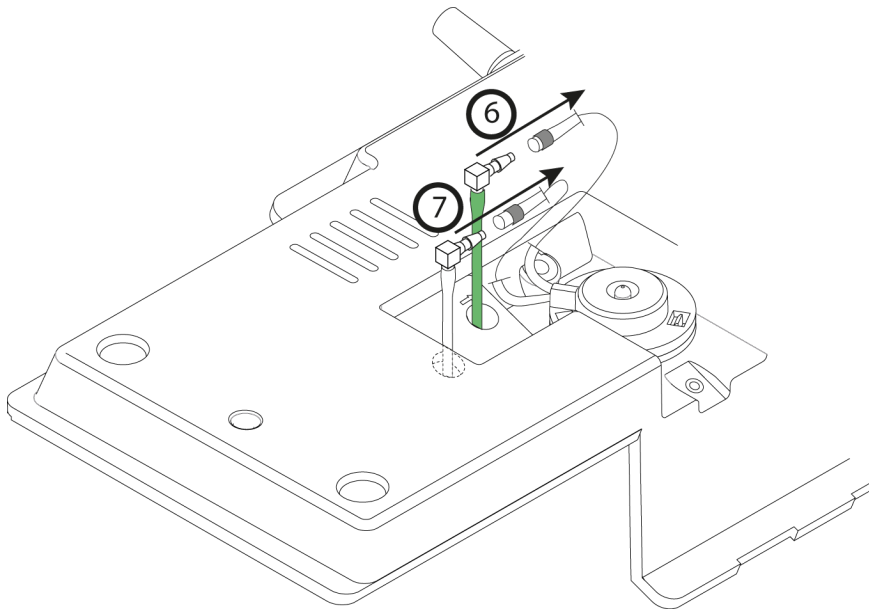
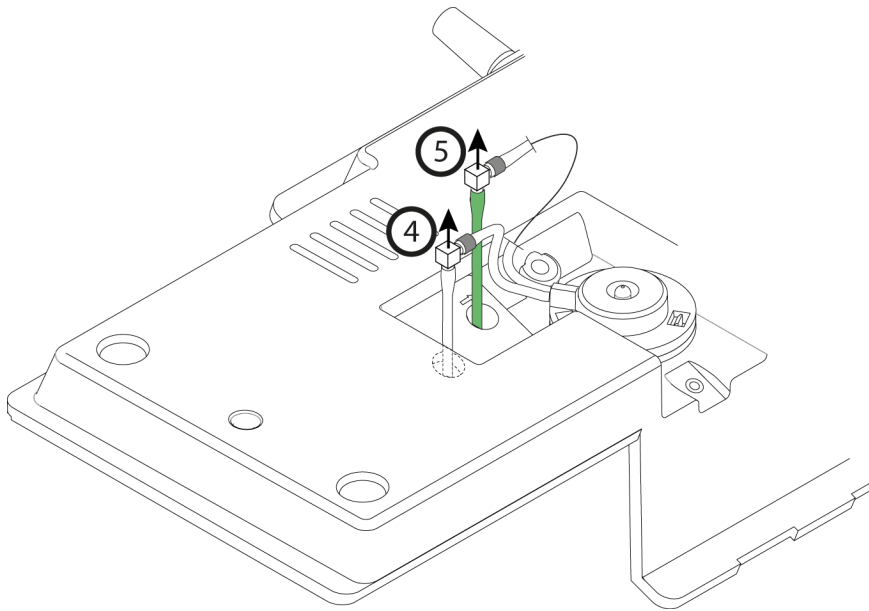


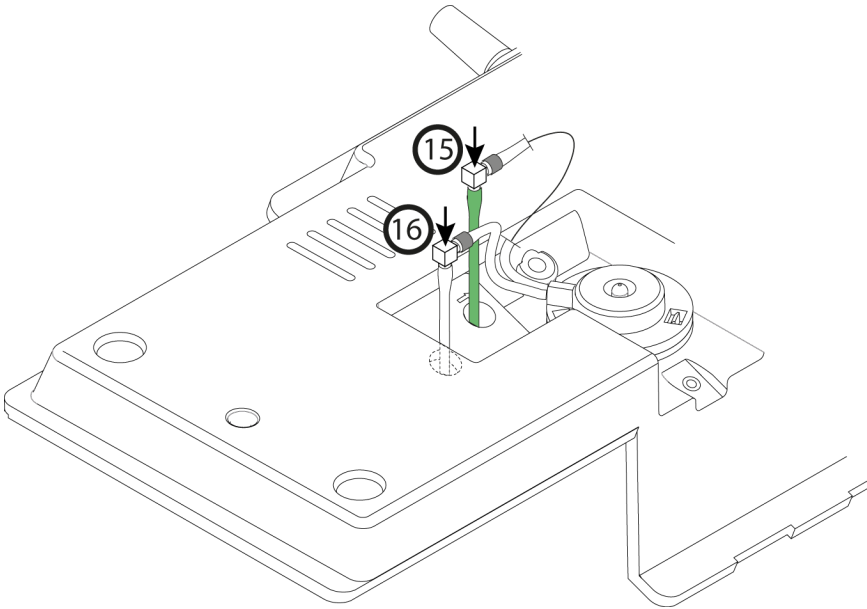
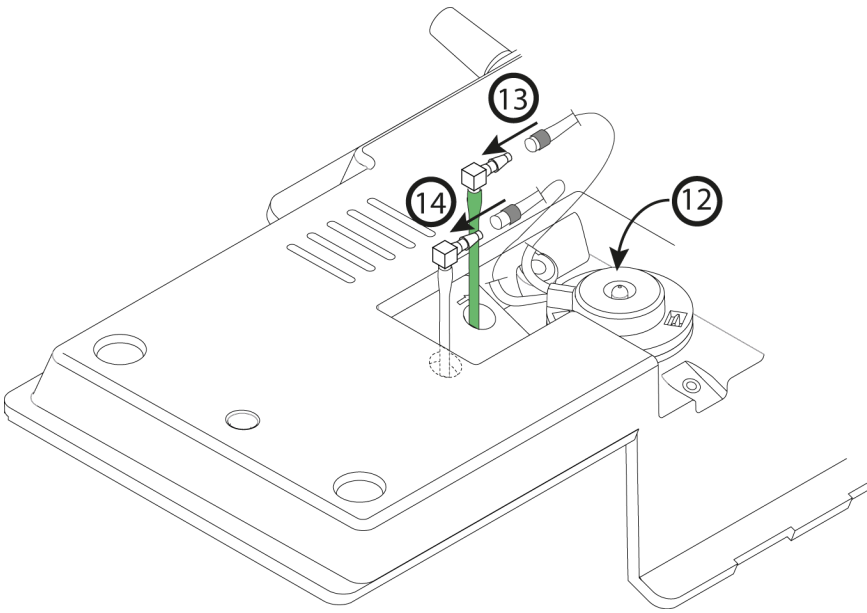
- replace the used fuses with fuses of the same type and same rating;
- place the fuse holder in its recess by pushing it until you hear a click that confirms it is in the correct position;
- connect the mains cord to the connector;
- connect the mains cord to the electrical network;

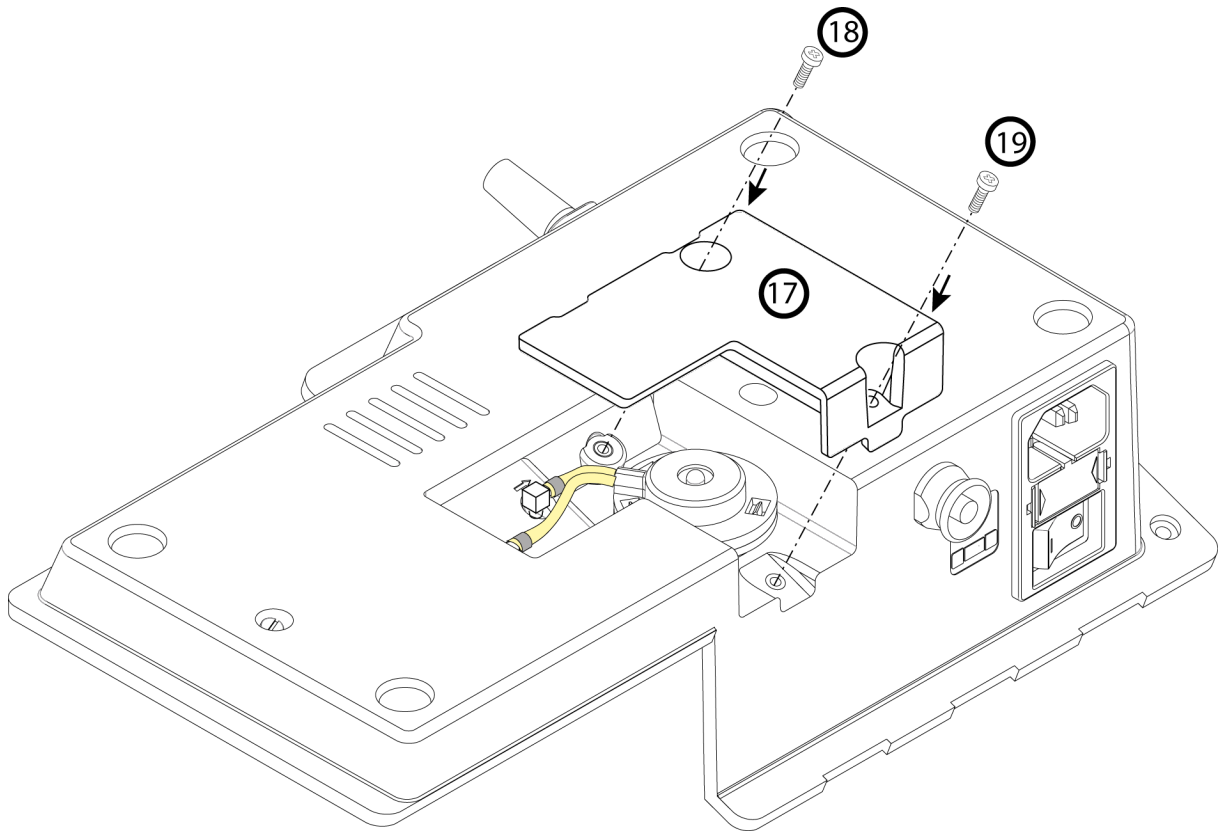
The medical device also has an internal fuse (P/N FU1 on the printed circuit board) that cannot be accessed by the user.

7.2.2 Replacing the irrigation cassette









8 Technical specifications for the medical device

8.1 Identification

Manufacturer	SATELEC®
Nom du medical device	NEWTRON® P5XS

8.2 Control unit

Width (in mm)	260
Height (in mm)	110, 145 with 300ml tank, 182 with 500ml tank
Depth (in mm)	155
Weight (in g)	SLIM cord 1674 with pedal, SLIM cord and 300ml tank; 1712 with pedal, and 500 ml tank

Ingress protection rating: IPX0

8.3 Ultrasonic generator

Supply voltage	100 VAC - 240 VAC
Power consumption	60 VA
Voltage supplied to handpiece	150 VAC
Output frequency	Minimum 28 kHz
Power setting range	1 to 20
Operating mode	Intermittent: 10 minutes ON / 5 minutes OFF
Type of leakage currents	BF
Electrical rating	1
Internal fuse not accessible to the user	Ref: FU1 / 1.5 AT - 125 V - SMD - Breaking capacity: 50 A
Fuse (mains connector)	2 x 1 AT / 230 VAC fuses - 5mm x 20mm - Breaking capacity: 35 A

8.4 Length of cords

Scaler handpiece cord (in mm)	>2040
Control pedal cord (in mm)	>2000

8.5 Irrigation

Tank capacity (in ml)	300 or 500
Nominal water output flow at the end of the handpiece (in ml/min)	5 to 40
Nominal water output flow at purge (in ml/min)	80

8.6 Control pedal

Width (in mm)	70
Height (in mm)	30
Depth (in mm)	95
Weight (in g)	150

Ingress protection rating: IPX1

8.7 Environmental characteristics

Operating temperature	+10°C to +30°C
Storage temperature	-20°C to +70°C
Operating humidity	10 % à 100 %
Maximum storage humidity	70 %
Atmospheric pressure	Between 800 hPa and 1060 hPa
Altitude	Less than or equal to 2000 metres

8.8 Environmental restrictions

Usage premises	Can be used at all medical premises. The medical device must not be used in an operating theatre, or outside.
Use in gas-filled atmosphere	The medical device is not designed for use in a type AP or APG gas-filled atmosphere or in the presence of anaesthetic gases.
Immersion	The SLIM handpiece must not be immersed.

8.9 Main performance characteristics

Ultrasonic vibrations of the tip or file fitted to the end of the conventional dental ultrasonic handpiece.

- Vibration frequency ≥ 28 kHz.
- Tip amplitude ≤ 200 μm .

9 Regulations and standards













9.1 Official Texts

This medical device complies with the essential requirements of European Directive 93/42/EEC. This equipment is designed and developed in compliance with Electrical Safety standard IEC60601-1 in force. It was designed and manufactured in accordance with an EN ISO 13485-certified quality assurance system.

9.2 Medical class of the device

This medical device is a class IIa device according to European Directive 93/42/EEC.

9.3 Standardised Symbols

Symbols	Meaning
	Refer to the accompanying documentation
	Consult the User Manual
 Electronic user informations	Accompanying documentation in electronic format
	LF type
I	Class 1
	Alternating voltage
	Sterilisation at 134°C in an autoclave
	Sterilisation at 132°C in an autoclave
	Washer disinfector for thermal disinfection
	EC marking
	Do not dispose of as household waste
YYYY 	Year of manufacture
	Control pedal
O	Device OFF
I	Device ON
IPX1	IP : ingress protection ratings procured by a range X : no ingress of protection rating claim against the penetration of solids 1: protects against the vertical falls of drops of water

9.4 Manufacturer identification

SATELEC

A Company of ACTEON Group
17, avenue Gustave Eiffel
BP 30216
33708 MERIGNAC cedex
FRANCE
Tel. +33 (0) 556.34.06.07
Fax. +33 (0) 556.34.92.92
E.mail: sateleco@acteongroup.com.
www.acteongroup.com

9.5 Branch addresses

FRANCE

SATELEC ACTEON GROUP

17 av. Gustave Eiffel

Zone industrielle du phare - B.P. 30216

33708 MERIGNAC cedex - France

Tel. +33 (0) 556 34 06 07

Fax. +33 (0) 556 34 92 92

e-mail: satelec@acteongroup.com.

U.S.A.

ACTEON Inc.

124 Gaither Drive, Suite 140

Mount Laurel, NJ 08054 - USA

Tel. +1 856 222 9988

Fax. +1 856 222 4726

e-mail: info@us.acteongroup.com

GERMANY

ACTEON GERMANY GmbH

Industriestrasse 9 - 40822 METTMANN - GERMANY

Tel. +49 21 04 95 65 10

Fax. +49 21 04 95 65 11

e-mail: info@de.acteongroup.com

SPAIN

ACTEON MEDICO-DENTAL IBERICA, S.A.U.

Avda Principal n° 11 H

Poligono Industrial Can Clapers

08181 SENTMENAT (BARCELONA) - SPAIN

Tel. +34 93 715 45 20

Fax. +34 93,715 32 29

e-mail: info@es.acteongroup.com

U.K.

ACTEON UK

Unit 1B - Steel Close - Eaton Socon, St Neots

CAMBS PE19 8TT - UK

Tel. +44 1480 477 307

Fax. +44 1480 477 381

e-mail: info@uk.acteongroup.com

MIDDLE EAST

ACTEON MIDDLE EAST

Numan Center - 2nd Floor N° 205 - Gardens Street

PO Box 5746 - 11953 AMMAN - JORDAN

Tel. +962 6 553 4401

Fax. +962 6 553 7833

e-mail: info@me.acteongroup.com

CHINA

ACTEON CHINA

Office 401 - 12 Xinyuanxili Zhong Street -
Chaoyang District - BEIJING 100027 - CHINA
Tel. +86 10 646 570 11/2/3
Fax. +86 10 646 580 15
e-mail: beijing@cn.acteongroup.com

THAILAND

ACTEON (THAILAND) LTD
23/45 Sorachai Building 16th floor - Sukumvit 63
Road, Klongton Nua - Wattana, BANGKOK 10110
- THAILAND
Tel. +66 2 714 3295
Fax. +66 2 714 3296
e-mail: info@th.acteongroup.com

KOREA

ACTEON KOREA Corp.
8F Hanil B/D - 132-4 1Ga Bongrae-dong -
JOONG-GU - SEOUL - KOREA
Tel. +82 2 753 41 91
Fax. +82 2,753 41 93
e-mail: info@kr.acteongroup.com

INDIA

ACTEON INDIA
B-94, GIDC Electronic Estate - Sector 25 -
GANDHINAGAR 382028 Gujarat - INDIA
Tel. +91 79 2328 7473
Fax. +91 79 2328 7480
e-mail: info@in.acteongroup.com

LATIN AMERICA

ACTEON LATIN AMERICA
Bogotá - COLOMBIA
Celular: +57 312 377 8209
e-mail : carlosandres.vera@es.acteongroup.com

RUSSIA

ACTEON RUSSIA
Valdajski Proezd 16 - office 253
125445 Moscow - RUSSIA
Tel./Fax. +7 499 76 71 316
e-mail : sergey.koblov@ru.acteongroup.com

AUSTRALIA/NEW ZEALAND

ACTEON AUSTRALIA/NEW ZEALAND
Suite 119, 30-40 Harcourt Parade
Rosebery NSW 2018
Australia
Tel. +612 9669 2292
Fax. +612 9662 2204
e-mail : sandy.junior@au.acteongroup.com

TAIWAN

ACTEON TAIWAN
14F-1, N° 433, Jinping Rd.
Jhonghe Dist., New Taipei City 23563
TAIWAN (R.O.C)
Tel. + 886 926 704 505
e-mail : tina.chu@tw.acteongroup.com

9.6 Disposal and recycling

As an item of Electrical and Electronic Equipment, the must be medical devicedisposed of via a specialist collection, removal, recycling or destruction channel. This applies in particular to the European market, in reference to Directive 2002/96/EC dated 27/01/2003.

When your medical device has reached the end of its service life, contact your nearest dental equipment dealer, or ACTEON GROUP head office or one of the company branches to find out how to proceed. The relevant contact details are given in the chapitre *Branch addresses page 30*.



10 Index

3

300 ml 13

5

500 ml 13

A

After installation 14
 air circulation 13
 air inlets 17
 Air inlets 13
 Altitude 26
 Amplitude 26
 approved dealers 7
 attachments 9

B

B.LED 11
 Bleach 13
 Bluetooth 11

C

Chlorexidine 13
 clean and disinfect the device 14
 clean irrigation system 14
 cleaned 8
 color coding system 11
 control pedal 10, 13
 control unit 11
 cover 13

Cruise Control® 11

D

damage 17
 deionised water 13
 demineralised water 14
 dental file 7
 dental ultrasonic generators 5
 dimineralised water 13
 disinfected 8
 disposal 32
 distilled water 13
 drinking water 14

E

earthing pin 13
 EDTA Ethylenediaminetetraacetic acid 13
 Electrical Safety 27
 electronic user instructions 5
 end of the day 14
 endodontics 7
 European Directive 27

F

F61001 10
 fall risk 10
 fault 17
 first inclusion of EC marking 7
 first use 14
 fuse 19
 fuses 20

G

gas-filled atmosphere 26

H

Handpiece support 12
Handpieces 5
Hextril® Hexedrin 13
humidity 12
Hydrogen peroxide 13
hypochlorite 14

I

incorrect operation 19
indexing points 12
indicator light 19
instructions relating to the comprehensive range of
dental ultrasonic generators 3
irrigation flow 12
irrigation flow settings 11

K

kit F12304 20
kit F62202 13, 20

L

LED 11
light function 13
light indicator 12

M

mains connector 13, 20
mains fuses 13
mains switch 13
Mains switch 19
Manufacturer 25
Medical class 27

N

non-use 14

P

pedal 13
periodontics 7
peristaltic pump 13
power settings 11
preservation and restoration dentistry 7
Pressure 26
printed copy 5
prophylaxis 7
purge function 11-12

Q

Quick Clean 5
Quick Start 5

R

recycling 32
removal of the button 11
repair 7
repairer 7

S

Saline solution 13
seal 20
silicone supports 12
SLIM cord 12, 25
smartphone 11
Sodium Hypochlorite 13
Software User Manual 5
spray 13, 19
Spray 15
Sterile water 13
sterilized 8

T

tablet 11
tank 13
Temperature 26
tip 7, 20
Tip 19

Tips 5
treatment 11-12

U

ultrasonic vibrations 7
ultrasound instrument 7
ultrasound power 11
update 7
user instructions 5
User Manual 5

V

Vibration frequency 26

W

water leak 20
Wipes 15
Wrenches 5



Ref: J62151 • V1 • (13) • 04/2013 • NBADEN040B

